

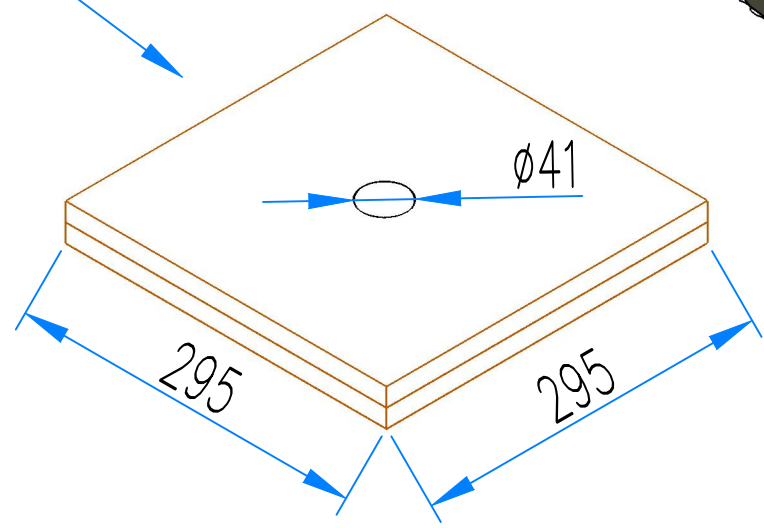
Bill of Materials
(Purchase through CICA):

- 42 x Tennis Ball w/100mm Cord
- 42 x 400mm Red Heat Shrink

(Purchase through Bunnings):

- 42 x SCH 40 PVC Pipe @ 1000mm
(Bunnings Code #9319841030673)
- 42 x Plywood Base as Detailed
(Bunnings Code #9316504087326)
- 168 x 25mm Pine Wood Screws
(Bunnings Code # 9311490068236)

2 x 17mm Ply Wood
(Screwed together)



6mm Hole
(50mm from Top)
Drill after Heatshrink
application

Red Heat Shrink

Unpainted PVC



30mm Slot
x 4 No.

1000

| | | | | | | | | | |
|-----|----------|-------------|-------|----------|----------|--|--|----------------|---|
| E | | | | | | | | CLIENT | SITE CREWSAFE |
| D | | | | | | | | | |
| C | | | | | | | | | |
| B | | | | | | | | | |
| A | 26-10-17 | 1st ISSUE | JH | PC | | | | | |
| REV | DATE | DESCRIPTION | DRAWN | VERIFIED | APPROVED | | | | TITLE Pole Barrier Construction Material Details |
| | | | | | | | | SIZE A3 | SCALE 1:5 |
| | | | | | | | | PROJECT NUMBER | DOCUMENT NUMBER 01 |